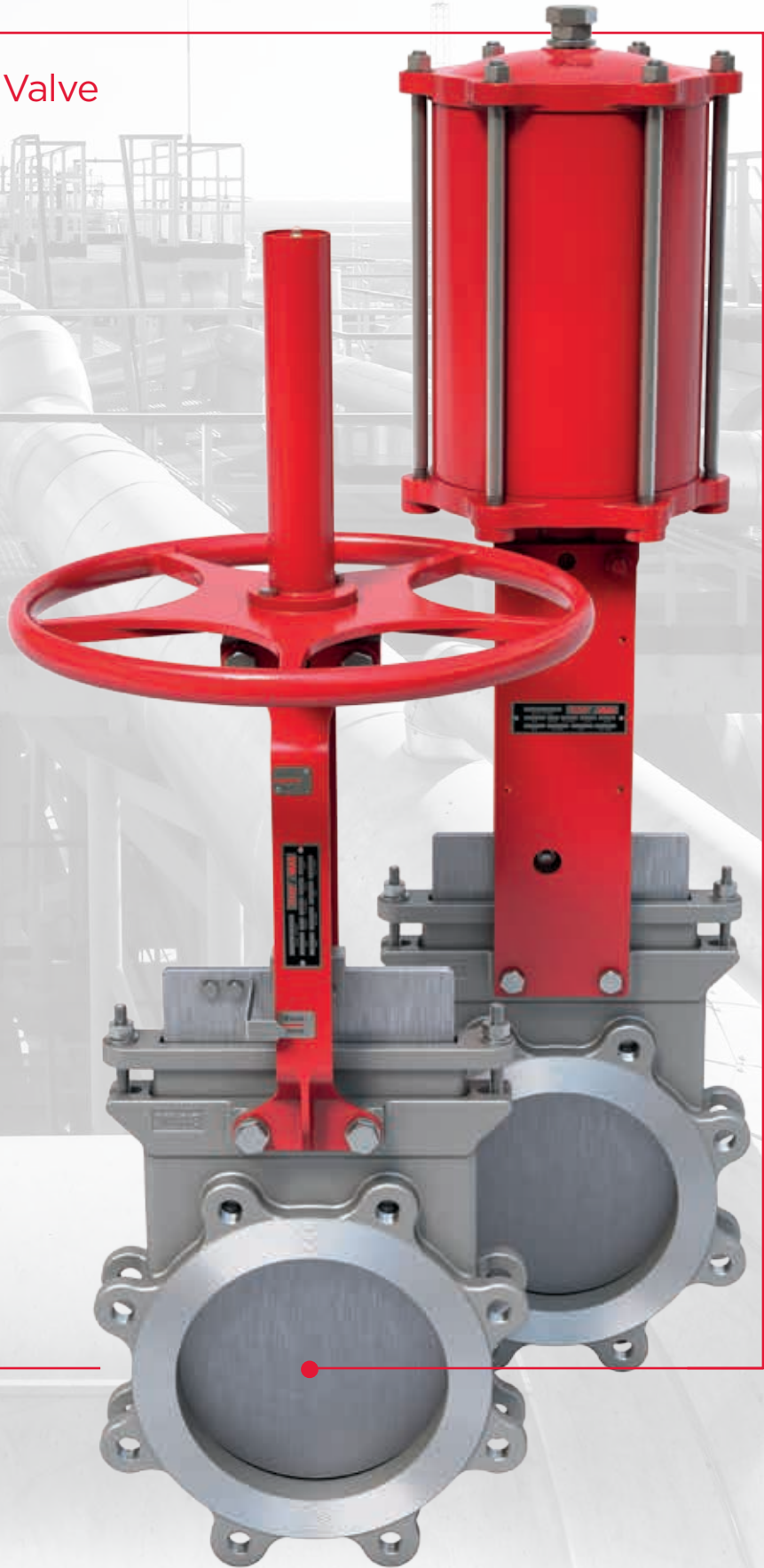


# Series 740

Bidirectional Knife Gate Valve



**Bray / VAAS**<sup>TM</sup>

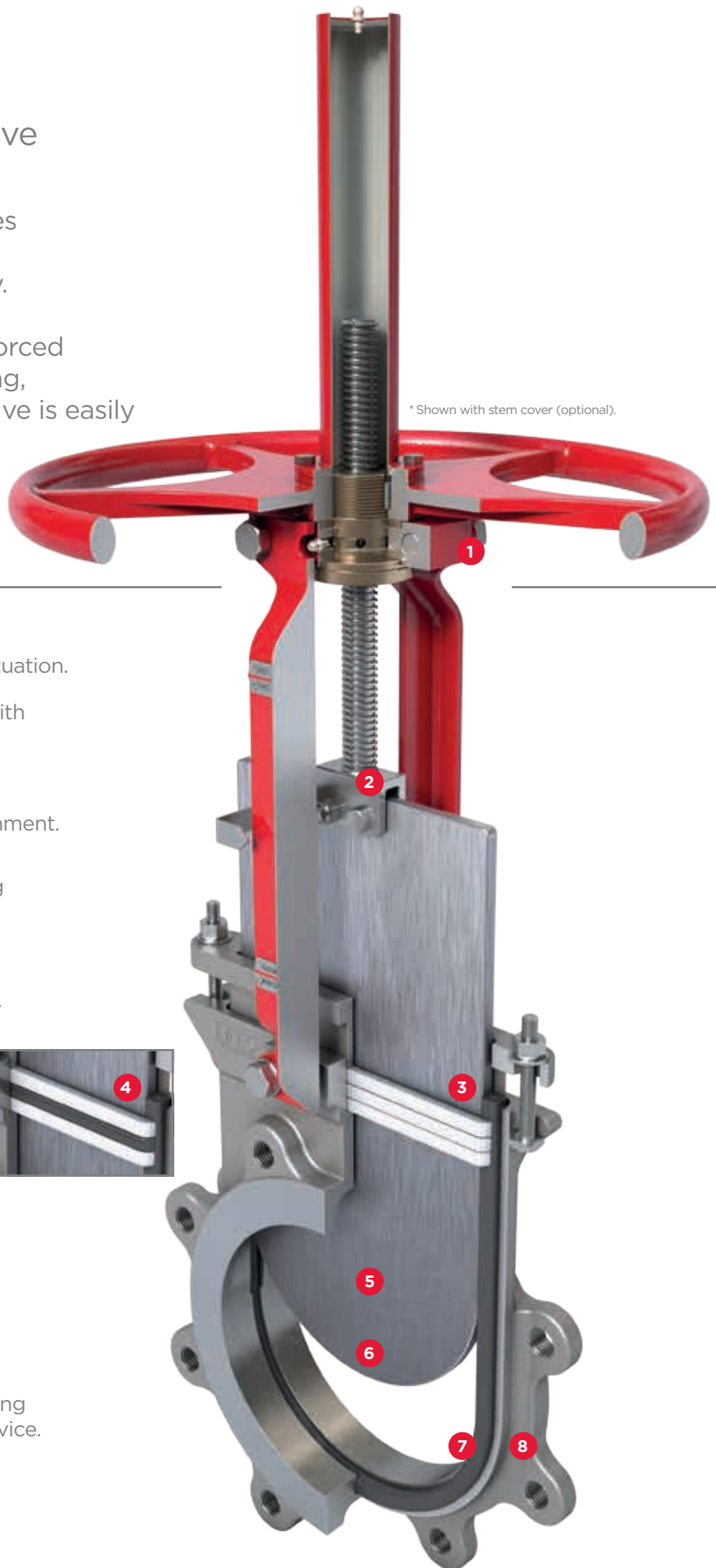
2"-24" (50-600mm) 150psi (10bar)  
30"-36" (750-900mm) 100psi (7bar)

# Series 740

## Bidirectional Knife Gate Valve

The Bray/VAAS Series 740 provides repeatable bidirectional shutoff in a rugged, single piece cast body.

Featuring a replaceable steel reinforced elastomer seat for enhanced sealing, the Bray/VAAS Series 740 gate valve is easily automated for on/off applications.



**1** Designed for easy, quick conversion between manual and pneumatic actuation. Featuring a lubricant injection port for continuous, smooth operation with minimal maintenance.\*

**2** Clevis design and horizontal bolting stabilizes gate ensuring proper alignment.

**3** Standard multi-layer square packing provides exceptional gland sealing.

**4** Optional energized quad seal packing for enhanced gland sealing.

**5** Unrestricted flow path with minimal pressure drop achieved through full port valve design.

**6** Deflection resistant gate design ensures consistent alignment for industry leading durability.

**7** Replaceable steel reinforced elastomer seat ensures bidirectional zero leakage shutoff.

**8** Lugged body suitable for all mounting orientations including dead-end service.

## Standard Construction

Body	Gate	Seat	Stem	Gland	Packing	Topworks
CF8	304	Buna-N	304	304	PTFE	Steel
CF8M	316	Buna-N	304	304	PTFE	Steel
WCB	304	Buna-N	304	WCB	PTFE	Steel

## Body Options

Carbon Steel (WCB)
CF8 Stainless Steel
CF8M Stainless Steel
CF3M Stainless Steel
SAF 2205 Duplex
SAF 2507 Duplex

## Gate Options

304, 316, 317 Stainless Steel
SAF 2507 Duplex
17-4PH Stainless Steel
Hastelloy® C
Monel®
Titanium

## Seat Options

Buna-N -35°-194°F/-37°-90°C
EPDM -65°-248°F/-54°-120°C
Viton® -15°-392°F/-26°-200°C
PTFE -235°-450°F/-148°-232°C

## Actuator Options\*

Bevel Gear
Pneumatic
Hydraulic
Electric

\*Direct Mounted Handwheel (Standard).

## Packing Options

PTFE 232°C/450°F
Elastomer 90°C/194°F
Quad Seal* 200°C/392°F

Additional material options may be available upon request. Consult factory for availability.

\*PTFE with Buna-N or Viton®.

## Specifications & Standards

Size Range	2"-36" (50-900mm)
Pressure Rating	Up to 24" (600mm) 150psi (10bar) 30"-36" (750-900mm) 100psi (7bar)
Body Style	Single piece, wafer, lug

Design	MSS SP-81
Testing	MSS SP-81
Face-to-face	MSS SP-81
Certification	CE/PED, Canadian CRN
Drilling*	ASME B16.5 CL150, ASME B16.47 CL150

\*Additional drilling options available. Consult factory for availability.

## Dimensions

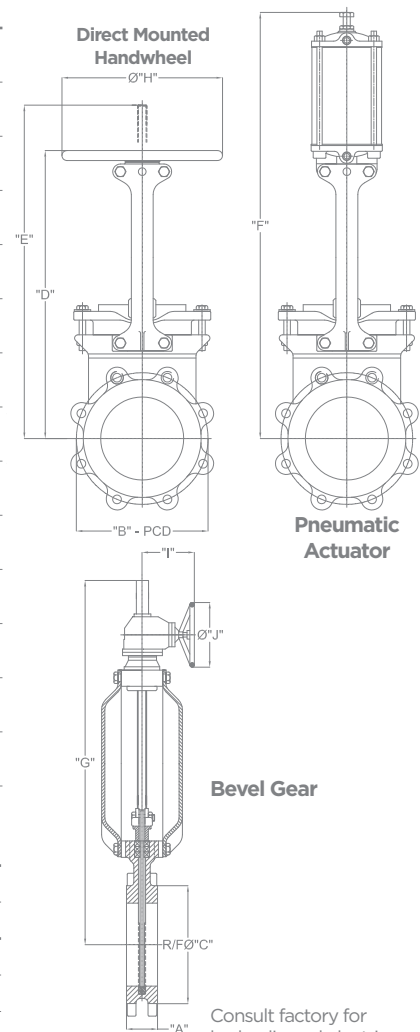
In. (mm)	A	B	R/FØC	D	E	F	G	ØH	I	ØJ
<b>2</b> <b>(50)</b>	1.88 (48)	4.75 (121)	3.62 (92)	13.78 (350)	14.96 (380)	19.88 (505)	--	10.00 (254)	--	--
<b>3</b> <b>(80)</b>	2.00 (51)	6.00 (153)	5.00 (127)	16.34 (415)	19.49 (495)	23.42 (595)	--	10.00 (254)	--	--
<b>4</b> <b>(100)</b>	2.00 (51)	7.50 (191)	6.18 (157)	18.31 (465)	21.26 (540)	25.98 (660)	--	10.00 (254)	--	--
<b>5</b> <b>(125)</b>	2.25 (57)	8.50 (216)	7.32 (186)	20.07 (510)	23.81 (605)	29.92 (760)	--	12.00 (305)	--	--
<b>6</b> <b>(150)</b>	2.25 (57)	9.50 (242)	8.50 (216)	22.05 (560)	27.36 (695)	32.28 (820)	27.36 (695)	12.00 (305)	9.68 (246)	19.68 (500)
<b>8</b> <b>(200)</b>	2.75 (70)	11.75 (299)	10.63 (270)	25.59 (650)	33.27 (845)	39.17 (995)	34.25 (870)	15.98 (406)	9.68 (246)	19.68 (500)
<b>10</b> <b>(250)</b>	2.75 (70)	14.25 (362)	12.76 (324)	28.66 (728)	39.37 (1000)	44.48 (1130)	44.68 (1135)	15.98 (406)	9.68 (246)	19.68 (500)
<b>12</b> <b>(300)</b>	3.00 (76)	17.00 (432)	14.76 (375)	33.46 (850)	46.46 (1160)	51.37 (1305)	50.78 (1290)	20.00 (508)	9.68 (246)	19.68 (500)
<b>14</b> <b>(350)</b>	3.00 (76)	18.75 (476)	16.26 (413)	37.60 (955)	53.16 (1350)	58.66 (1490)	54.72 (1390)	20.00 (508)	9.68 (246)	19.68 (500)
<b>16</b> <b>(400)</b>	3.50 (89)	21.25 (540)	18.50 (470)	41.34 (1050)	58.27 (1480)	61.02 (1550)	59.44 (1510)	20.00 (508)	9.68 (246)	19.68 (500)
<b>18</b> <b>(450)</b>	3.50 (89)	22.75 (578)	21.00 (534)	45.67 (1160)	63.76 (1620)	68.11 (1730)	66.92 (1700)	20.00 (508)	10.47 (266)	19.68 (500)
<b>20</b> <b>(500)</b>	4.50 (114)	25.00 (635)	22.99 (584)	50.39 (1280)	70.47 (1790)	76.57 (1945)	72.83 (1850)	20.00 (508)	10.47 (266)	19.68 (500)
<b>24</b> <b>(600)</b>	4.50 (114)	29.50 (750)	27.24 (692)	58.46 (1485)	83.66 (2125)	79.92 (2030)	86.61 (2200)	20.00 (508)	10.47 (266)	19.68 (500)

Dimensions are approximate and subject to change. Consult factory for certified drawings.

## Weights

Size (In.)	2	3	4	6	8	10	12	14	16	18	20	24
Weight (lbs)	22	31	35	55	79	137	181	251	353	441	617	829
Size (mm)	50	80	100	150	200	250	300	350	400	450	500	600
Weight (kgs)	10	14	16	25	36	62	82	114	160	200	280	376

Approximate weights shown with direct mounted handwheel, consult factory for additional configurations.



Consult factory for hydraulic and electric actuators dimensions.